

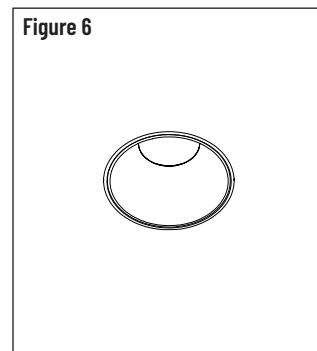
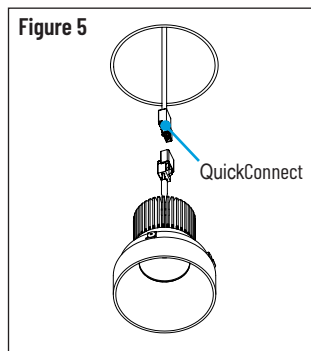
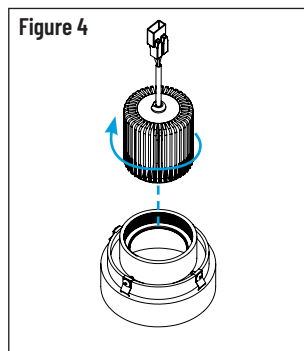
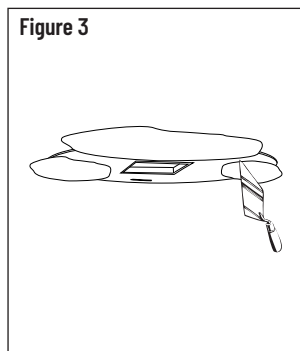
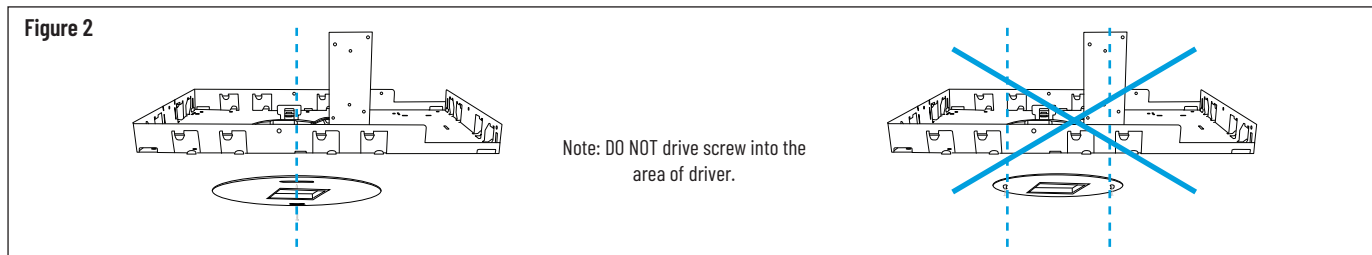
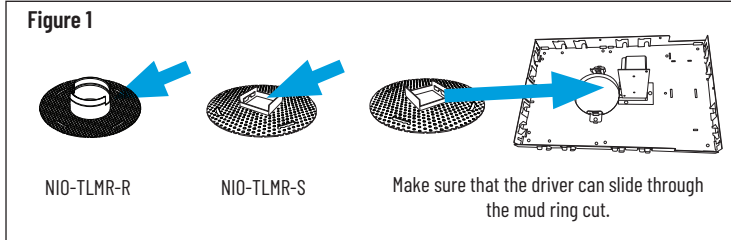
READ PRIOR TO ATTEMPTING INSTALLATION
ALWAYS TURN OFF MAIN POWER BEFORE INSTALLATION
INSTALLATION SHOULD BE CARRIED OUT BY YOUR LOCAL ELECTRICIAN

TRIMLESS MUD RING INSTALLATION

⚠ IMPORTANT - This equipment is intended to be installed only by qualified personnel. The installation must be made in accordance with the current edition of the National Electrical Code and all applicable state and local building codes. The final installation must be approved by the appropriate, qualified electrical/building inspector(s). Improper installation may result in a fire or electrical hazard. Be sure the electrical power to the circuit has been disconnected before installing this electrical system.

INSTALLATION INSTRUCTIONS

1. Locate the driver in the housing. Line up mud ring opening with driver. Make sure driver can slide out with ring in place. (Figure 1)
2. Attach mud ring to drywall with screws (not provided)
NOTE: DO NOT drive screw into the area of driver. (Figure 2)
3. A professional drywall finisher should complete mud-in. (Figure 3)
4. Screw LED module to reflector by turning clockwise. (Figure 4)
5. Allow plaster to dry. Connect reflector's quick connect to driver's quick connect. (Figure 5)
6. Insert trimless reflector into mud ring, make sure it snaps flush. (Figure 6)



REFLECTOR REMOVAL (if needed after installation)

1. Suction cup **may** be needed to remove trimless reflector. Contact support@alconlighting.com for NIO-TLSUCTION from mud ring.
2. Attach suction cup firmly to optics inside reflector.
3. Pull down on suction cup's key ring to release reflector
4. Disconnect quick connect cable to service reflector.

